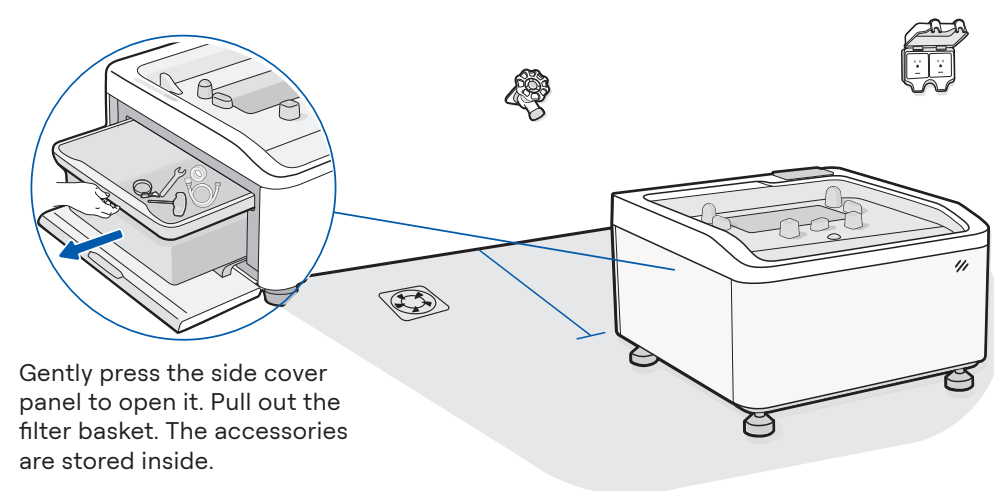


# Quick Start Guide



## 1 Choose a Suitable Location

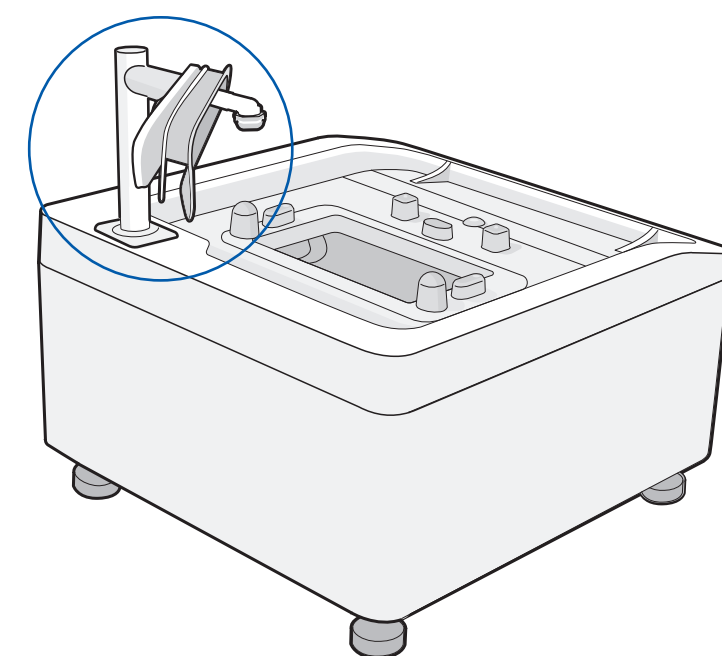
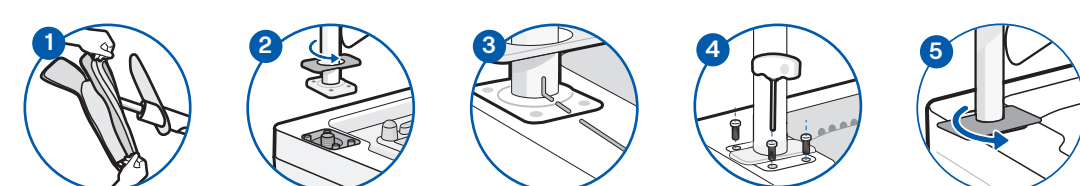
Place the station on flat, stable ground in a well-ventilated area, close to a power outlet and water source. The location should also have a strong and stable Wi-Fi signal. Avoid direct sunlight, high temperatures, and high humidity.



Gently press the side cover panel to open it. Pull out the filter basket. The accessories are stored inside.

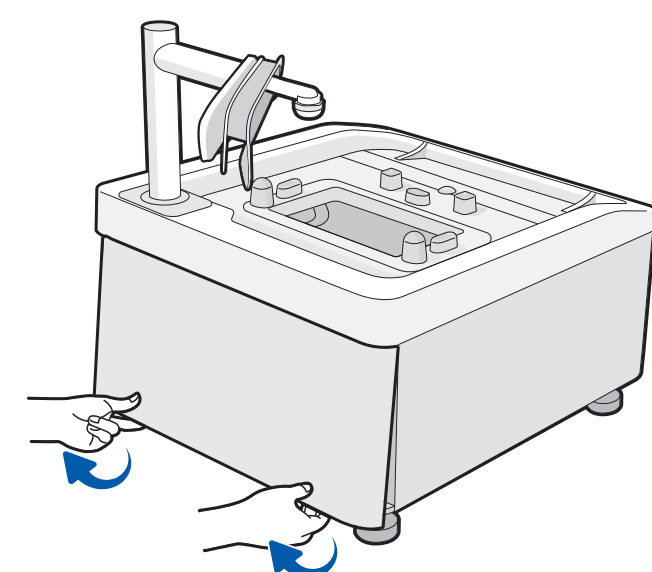
## 2 Connect the Spray Nozzle Assembly

1. Attach the nozzle protector.
2. Rotate the screw cover plate 90 degrees to expose the screw holes on all four sides.
3. Insert the spray nozzle assembly downward into the mounting port. Align the marked lines on both spray nozzle assembly and station until they form a straight line.
4. Use the included screws and hex key to securely fasten the spray nozzle assembly.
5. Rotate the screw cover plate back 90 degrees, align the cover plate with the slot, and snap it into place.



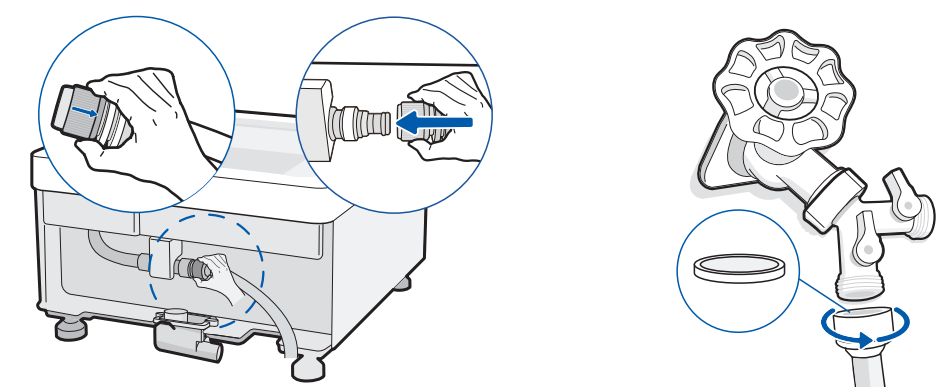
## 3 Remove the Rear Cover Panel

Grasp the bottom of the rear cover panel with both hands and pull the panel firmly outward to detach it.



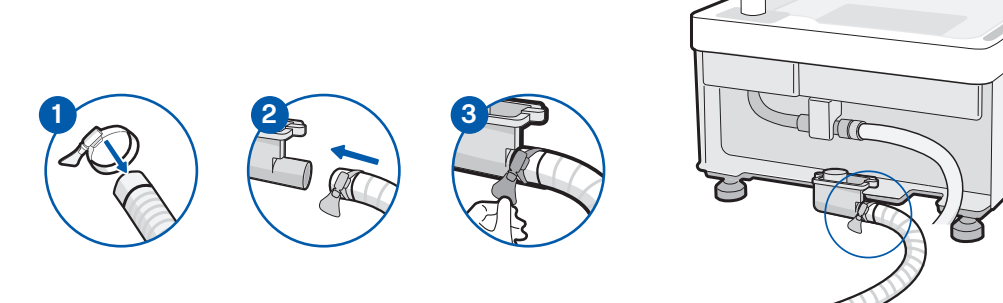
## 4 Connect the Water Inlet Hose

1. Align the quick-connect end of the inlet hose with the station's water inlet port. Depress the locking clip, insert the hose fully, then release the clip to allow it to engage and lock automatically.
2. Thread the opposite end of the hose onto the tap or the auxiliary port of the water tee. Turn the nut clockwise until hand-tight to ensure a secure, leak-proof connection.



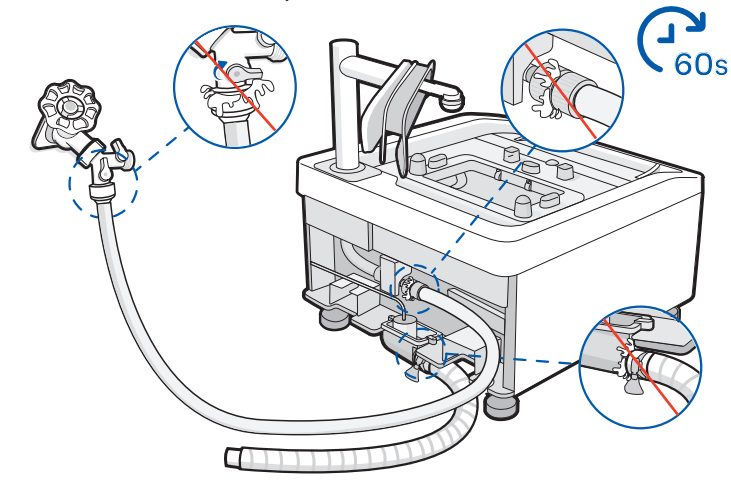
## 5 Connect the Drain Hose

1. Attach the hose clamp onto one end of the drain hose.
2. Align this end with the station's outlet port and push it in firmly until it is fully seated.
3. Tighten the hose clamp clockwise until hand-tight to ensure a secure, leak-proof connection.



## 6 Conduct a Water Flow Test

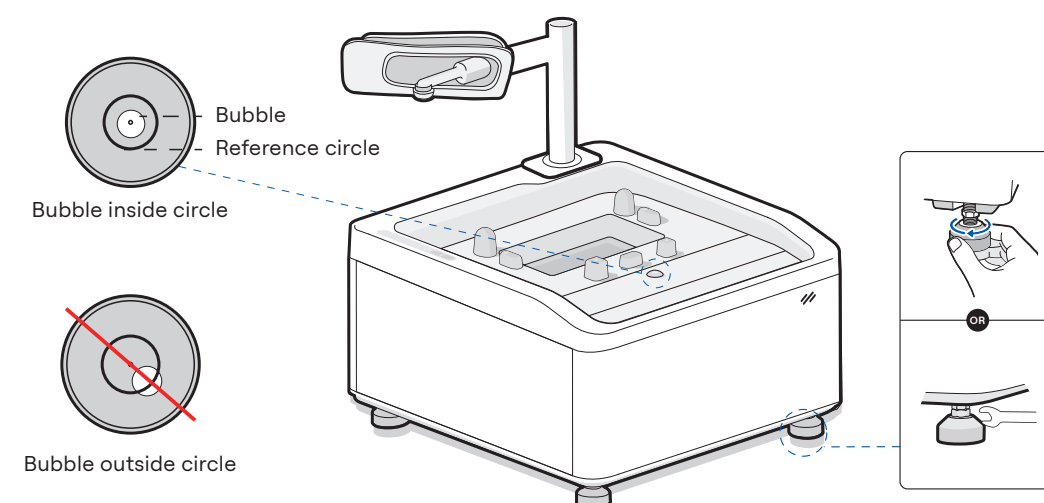
With all connections made, slowly open the water tap and open the valve on the water tee (if equipped). Observe all connection points for at least 60 seconds to ensure there are no leaks. Verify that water drains smoothly.



**Tip:** If a leak is observed at any connection point, use the supplied PTFE tape to re-seal the joint.

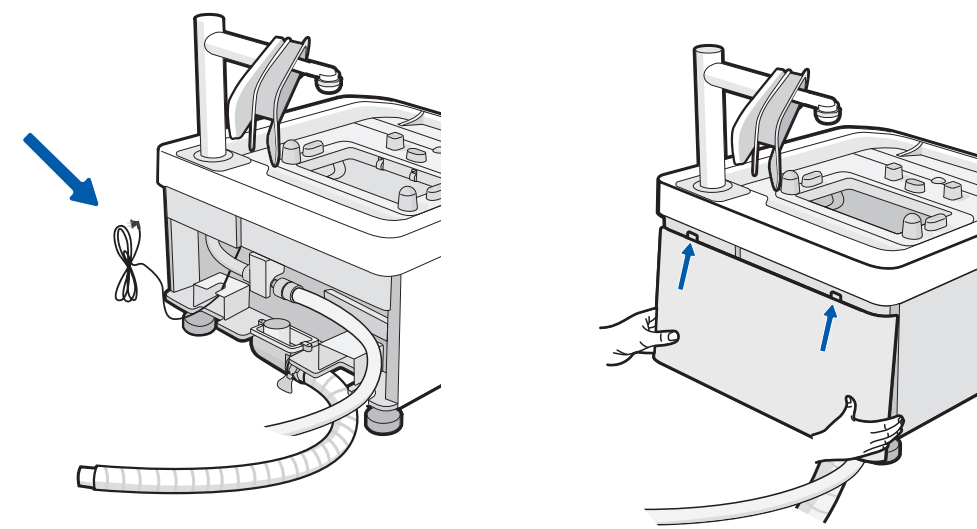
## 7 Check the Bubble Level

Bubble inside circle: Level. No adjustment is needed.  
Bubble outside circle: Not level. The bubble drifts toward the higher side. Adjust the foot nut by hand or with the supplied wrench until the bubble is within the circle.



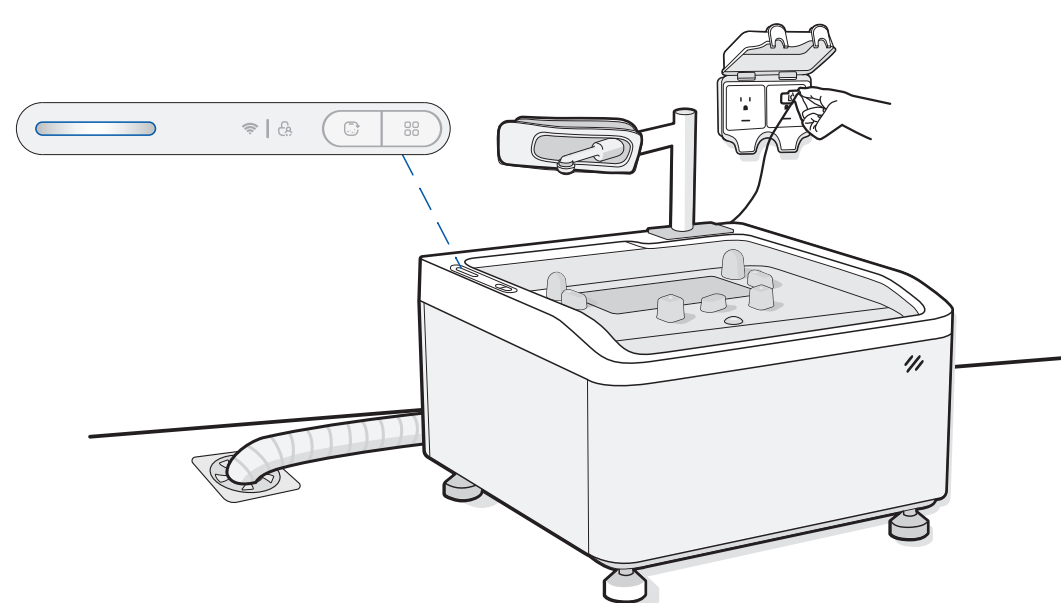
## 8 Install the Rear Cover Panel

1. Route out the power cord.
2. Grasp the bottom of the rear cover panel with both hands. Align the panel's top mounting clips with the receptacles on the station.



## 9 Connect to Power

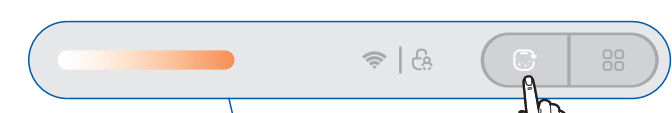
Upon being plugged in, the station will automatically power on, with a breathing white light shown on the status indicator.



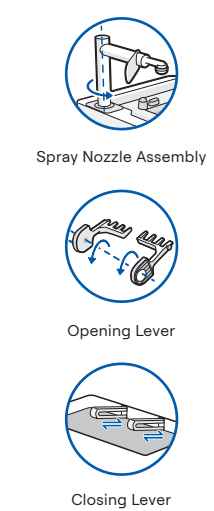
## 10 Start Self-Check

Press "C" button briefly. When you hear the voice prompt "Starting self-check", it indicates that the self-check has started. Then, the spray nozzle, opening lever, and closing lever will automatically move within the preset range for functional verification. The self-check is complete when you see a solid white indicator light or hear the voice prompt "Self-check complete."

Starting self-check



CAUTION: Moving Parts



For detailed instructions, please refer to the user manual. If you encounter any issues during installation, please do not hesitate to contact our customer support team.

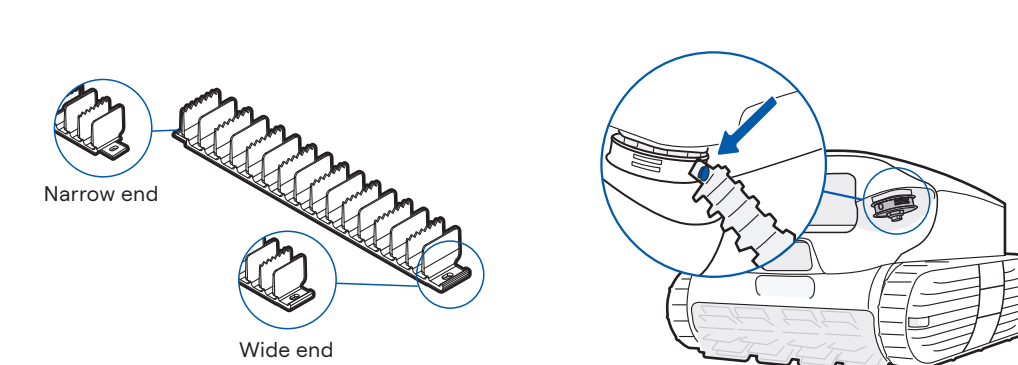
# Quick Start Guide



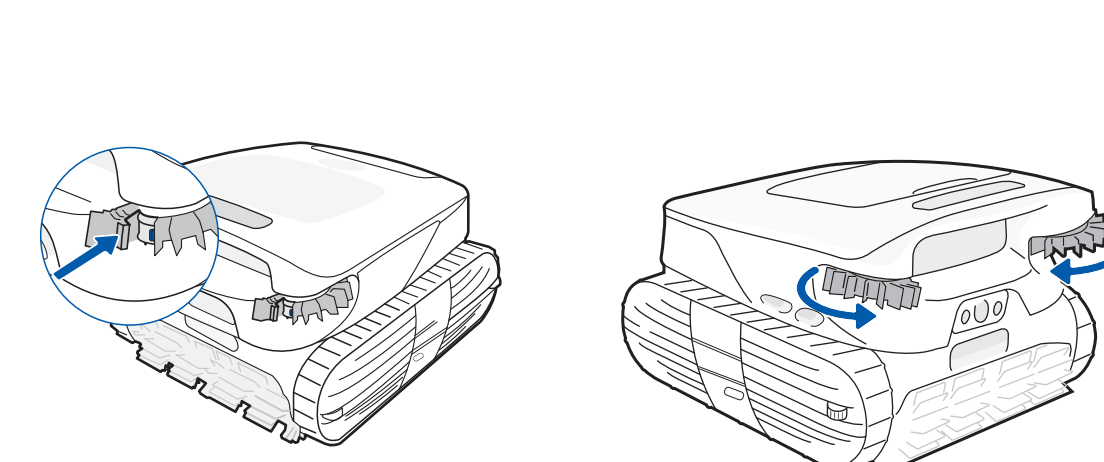
Scan to Check E-Manual

## 11 Install the Side Brush

1. Take out the two side brush strips from the package.
2. Hook the narrow end of the strip onto the retaining peg of the brush support.



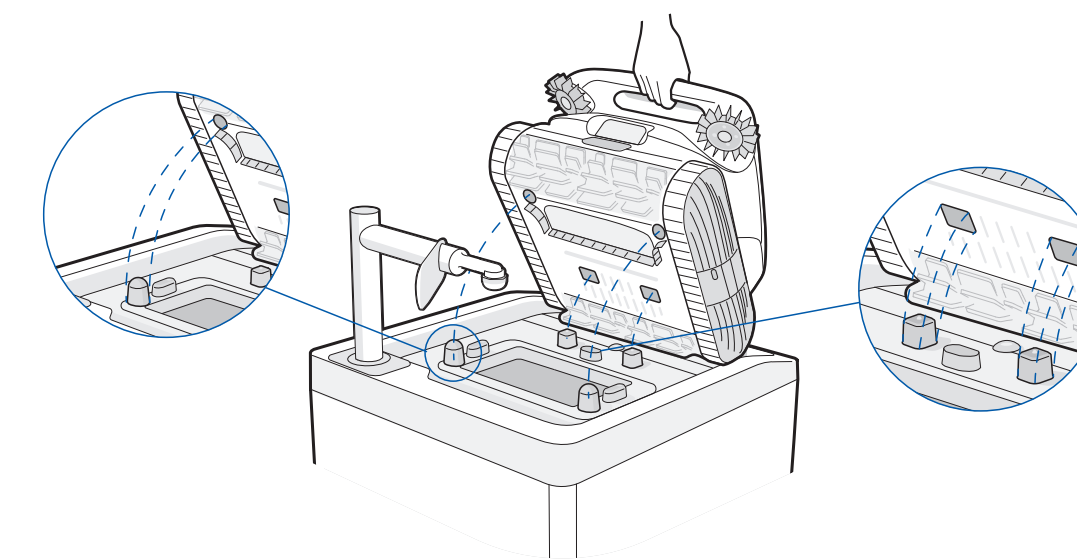
3. Rotate the brush support, and clip the opposite end onto the same peg.
4. Ensure both side brushes are firmly installed and rotate freely.



## 12 Start Charging

### 1. Place the Robot

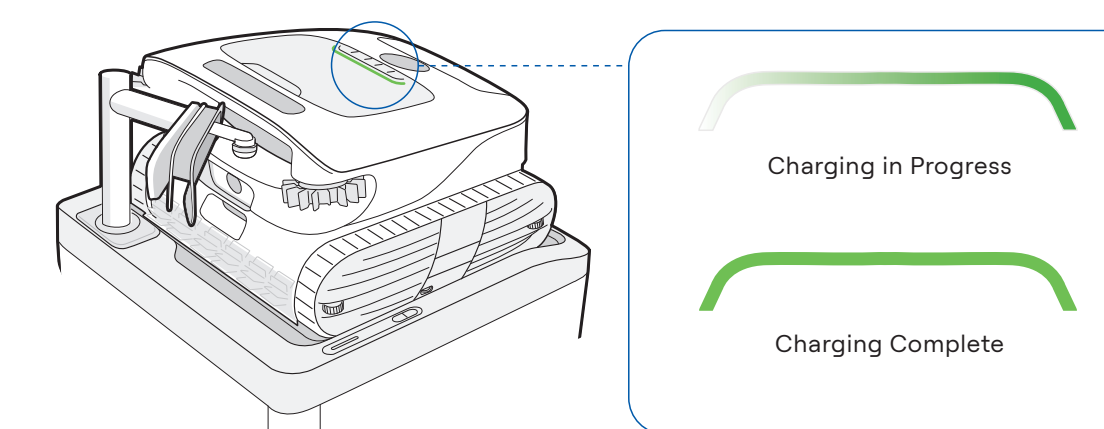
Hold the robot by its handle. Align it with the locating pins and charging contacts on the station and gently lower it down.



### 2. Start Charging

Charging begins automatically once the robot is properly seated. A breathing light and a voice prompt ("Starting to charge") indicate that charging is in progress. The robot is fully charged when the robot's status indicator turns solid green.

Starting to charge



## 13 Set Up Your Device

### 1. Pair Robot with Station

1. Press and hold the robot's "L" button for about 3 seconds. When you see the indicator flashing white, the robot is in pairing mode.
2. Press and hold the station's "C" button for about 3 seconds. When you see the indicator flashing white, the station is in pairing mode. Upon successful pairing, you will hear the voice prompt "Pairing complete."

### 2. Download the App

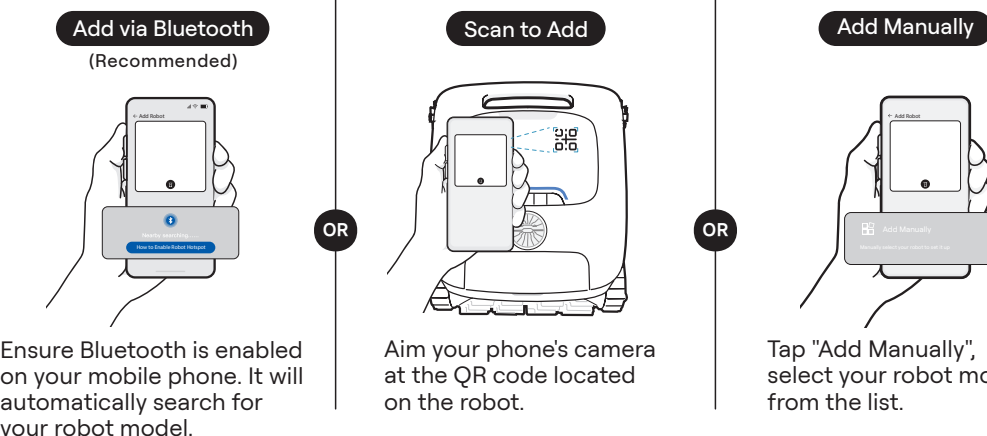
You can either scan the QR code below or search for "Beatbot" in the App Store or Google Play to download the App.



### 3. Connect Robot to Wi-Fi

Press and hold the robot's "U" and "L" buttons simultaneously for about 3 seconds, and when you see the indicator flashing blue, the robot is in network setup mode.

Open the Beatbot App. Tap "Add Robot" on the home page, then choose one of the following methods to add your robot and complete the setup:

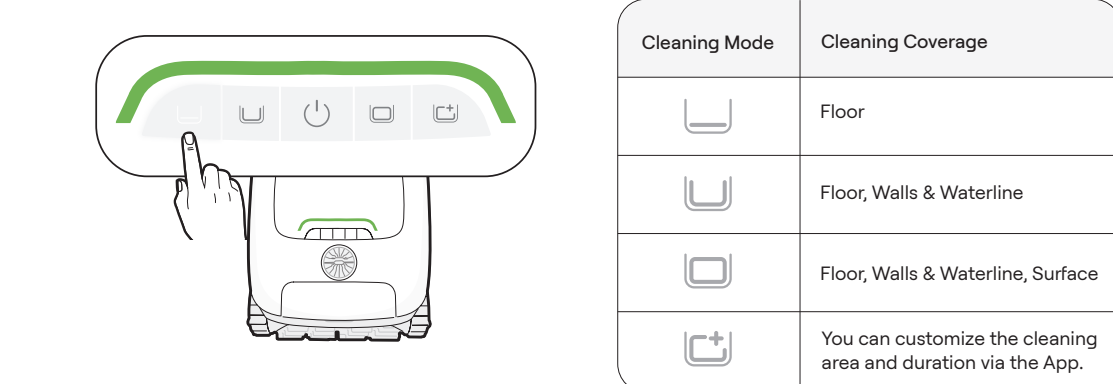


Upon successful setup, the corresponding robot will appear in your App. Tap on it to enter its control page to configure settings for the robot and the station.

If the setup failed, please refer to the user manual or the App for detailed instructions.

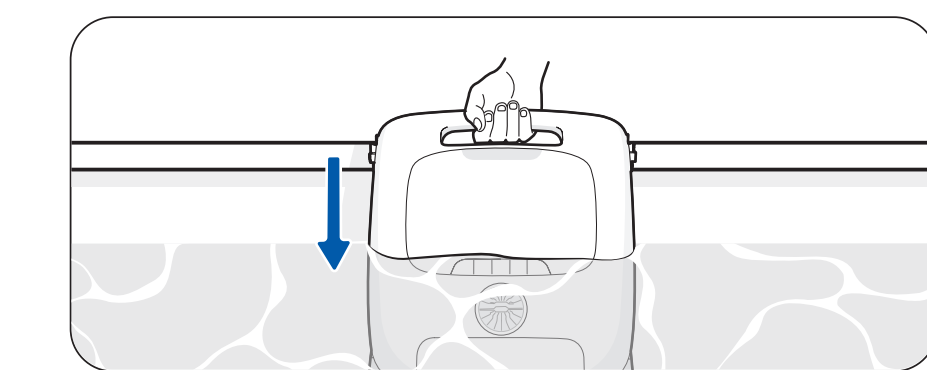
## 14 Power On & Select Mode

1. Make sure the robot is powered on. Set the cleaning mode, and the selected mode button will show solid white.



\* To power on the robot: Briefly press its power button.

2. Gently place the robot into the water along the pool wall.

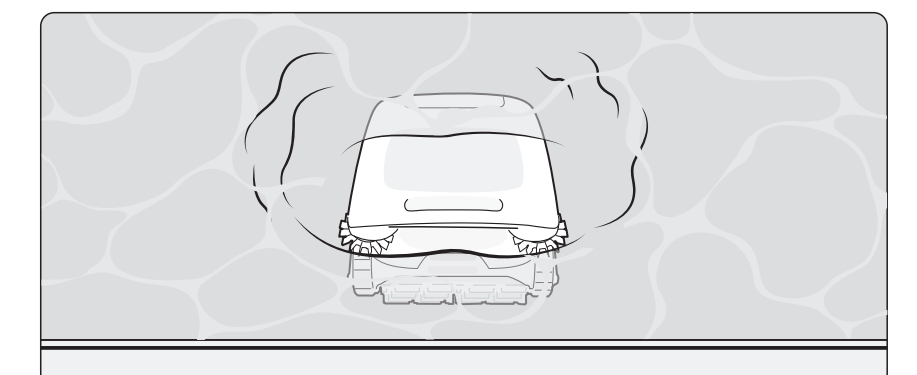


3. The robot begins to submerge and will settle on the pool floor within 3 minutes after entering the water. Once settled, it will automatically begin cleaning.

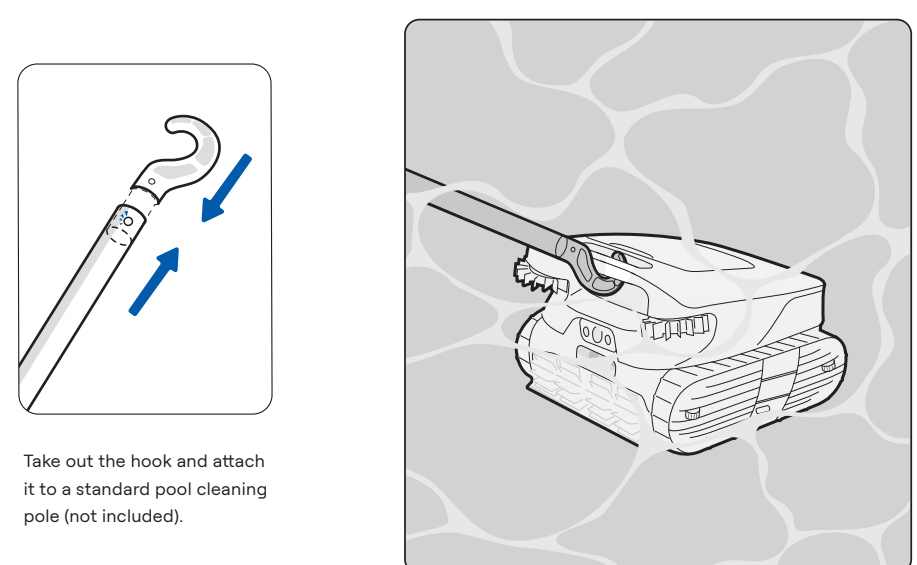


## 15 Retrieve

1. After completing the cleaning task, the robot will automatically park itself at the poolside. When lifted out of the water, it will begin draining automatically.



2. In the unlikely event that the robot does not return to the poolside automatically, you can manually retrieve it using the supplied hook.

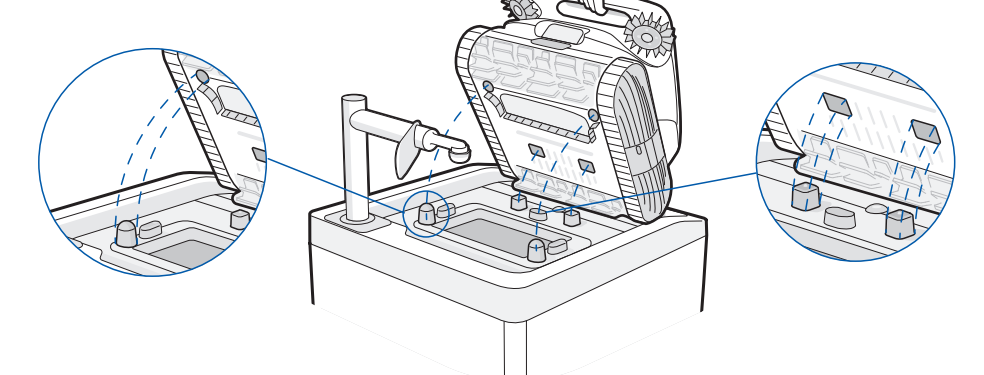


## 16 Start Self-Cleaning

### 1. Place the Robot

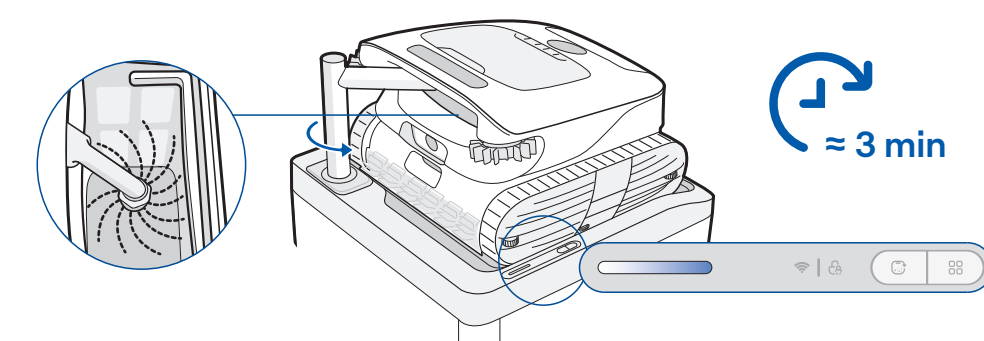
Hold the robot by its handle. Align it with the locating pins and charging contacts on the station and gently lower it down. When properly seated, the station will start self-cleaning automatically. You will hear the voice prompt "Starting self-clean."

Starting self-clean



### 2. During Self-Cleaning

When the task is started, the robot's floating debris door opens. The spray nozzle then rotates counterclockwise to align with the door opening to begin cleaning. During this process, the station's status indicator will display a sky-blue breathing light pattern. The entire cycle takes approximately 3 minutes.



**Tips:**

1. The station is set to perform a self-cleaning cycle automatically by default. You can disable the Auto Self-Clean function in the App.
2. To end the cycle early, briefly press "C" button on the station, or use the App.
3. Upon completion, the spray nozzle returns to its original position, the robot's floating debris door closes, and the robot will automatically begin charging.