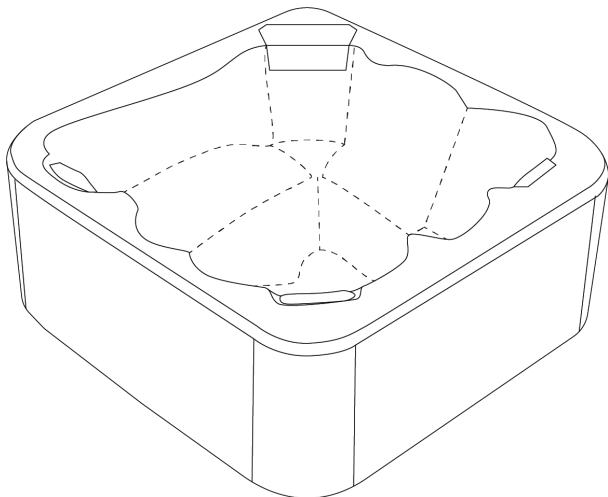


Whirlpool Menorca Supply24



I & S - INNOVATION & SUPPLY
Markus Wolf
Bachstraße 5
D-97274 Leinach

English (ENG)



Instructions for use:

Be sure to read this instruction manual carefully before using.

With correct preparation and care, your spa will provide many years of enjoyment and relaxation. This manual has been designed to provide all the essential information regarding the preparation, installation, care, and operation of your new spa. Please take the time to read the entire manual to ensure your spa is used correctly and safely.

Main Function and Product Characteristics:

- **Hydrotherapy function:** The spa is equipped with special hydrotherapy seats, ergonomically designed to support the body. Adjust the massage pressure by modifying the massage settings, water diverter, and air regulator.
- **Air blower therapy function:** Activate the air blower to release a large volume of air bubbles through specially designed air jets, creating a bubbly massage experience that is both therapeutic and fun.
- **Heating function:** The spa heats the water and allows users to set the desired temperature. The heating system maintains this temperature, ensuring year-round availability.
- **Filter and circulation function:** The spa features a filtration system with an integrated filter and ozone sterilization. While filtering out impurities, the system automatically operates the Filter Cycle to eliminate bacteria using ozone generated by the ozone unit.
- **Lighting:** Underwater LED lighting enhances the spa's ambience. Controlled via the panel, the lighting system not only illuminates the water but also creates a romantic and soothing mood.

Important declaration: All the functions mentioned above are general descriptions of our spa products. The specific features of your spa may differ. Please confirm the details before making a purchase. The manufacturer reserves the right to modify or improve products without prior notice and without incurring any obligation.

Important instructions

It is essential to familiarize yourself with general spa pool safety and water treatment procedures. Please ensure you understand the following information:

- **Drainage requirement:** Ensure that the spa is not installed in a low or flood-prone area, as this may cause electrical equipment failure or pose a danger to spa users.

- **Risk of electric shock:** As with all electrical appliances, there is a risk of electric shock. The engine room, located within the cabinet, houses the control unit that operates the spa. This enclosure should always remain shut. If water enters the engine room, turn off the spa at the power supply and ensure all components are completely dry before attempting to restart it.
- **Temperature:** Keep the spa water temperature no higher than 40°C. Higher temperatures can strain the cardiovascular system. If the temperature exceeds 40°C, exit the spa and contact your dealer immediately. It is recommended that the water temperature not exceed normal body temperature (approx. 37.5°C).
- **Medical conditions:**
 - Individuals with diabetes, high blood pressure, heart conditions, or other cardiovascular issues should consult a doctor before using the spa.
 - To reduce contamination and health risks, shower with soap and water before entering the spa.
 - Anyone with open wounds or any form of infection should not use the spa.
 - Hot water can be an ideal environment for bacteria, especially if sanitiser levels are not properly maintained.
 - Pregnant women should always consult their doctor before using a spa.
- **Soak and cool time:** Limit sessions in the spa to 15–20 minutes at a time. Some spas have a cooling seat. If you begin to feel too warm, sit on the cooling seat and allow your body to cool down. Once you feel comfortable, you may slowly re-enter the water. Sitting in a spa with your chest above the water line helps reduce the time needed to cool off. Avoid prolonged exposure to water above normal body temperature, as it can be dangerous.
- **Alcohol use and medication:** Consuming alcohol in or around the SPA is highly unsafe. Never use glass containers near the SPA. Alcohol increases the risk of drowning. Anyone taking medication should consult their doctor before entering the SPA.
- **Child safety:** Children should not use the spa unsupervised.
- **Preventing slips:** Always take care when entering and exiting the spa, as wet or uneven surfaces can be slippery. Use handrails and non-slip surfaces to reduce the risk of falls. In some cases, steps may be needed to make entry and exit easier.
- **Electrical appliances:** Never place any electrical devices within 2 metres of the SPA.
- **Weather conditions:** Do not use or operate the SPA during severe weather conditions, such as thunderstorms, cyclones, or electrical storms.
- **Ventilation:** If the SPA area is not properly ventilated, users may experience throat irritation. Ensure the SPA pool is installed in a well-ventilated area, especially if it is enclosed.
- **Chemicals:** Chemicals are essential for maintaining clean water, preventing bacterial growth, and prolonging the life of your SPA and its components. However, when used in concentrated forms (such as certain household chemicals), they can be hazardous. Always handle spa chemicals with care and follow safety guidance. Refer to the product's label and

safety documentation. More detailed information on using chemicals safely is available in the Chemical Management section.

Spa Installation

Always use a qualified professional to install your SPA. The manufacturer is not responsible for any damage caused by incorrect installation or by work carried out by unqualified individuals.

Positioning and location of the spa

- The spa should be positioned to ensure easy access for service and maintenance. Most equipment is located at the front of the spa and must remain accessible for power connection and servicing.
- It is recommended to leave at least 1.2 metres of clearance around all four sides of the SPA for future access.
- The owner is responsible for ensuring that the installation is completed correctly before service begins.
- All portable SPA equipment requires ventilation. Do not block the vents in the cabinet.
- Position the SPA away from trees to prevent leaves from blocking the filter.

Important Note:

Do not leave your SPA in direct sunlight for prolonged periods. This may void your warranty. The spa includes insulation over the shell and pipework. If exposed to direct sunlight, the surface temperature can rise up to 200°C, which can cause damage to the SPA.

It is recommended to always use the hard cover when the spa is not in use and to place the spa in a location protected from extreme and harsh weather. Leaving the SPA uncovered and exposed could void your warranty on the spa and its accessories.

Location Requirement

- Before installation, it is advisable to consult a professional to confirm the appropriate position for the SPA.
- Avoid placing the SPA where water could flood into the electrical equipment compartment. Also ensure it is protected from direct contact with very damp areas.
- Position the SPA horizontally, ensuring the entire base of the unit is on a smooth, flat, and level surface capable of supporting the weight when fully filled with water, plus the weight of the bathers (requires 1000KG weight capacity).
- The spa must not be placed on a curved, soft, sandy surface or blocks.

Draining your SPA

If you use your SPA only once or twice a week, draining will be less frequent than for those who use it three or more times a week. Therefore, it is recommended to drain the SPA at least every 3 months.

Your drainage valve is located at the front of the bottom base. Drainage instructions are as follows:

1. Take off the cover of the drainage valve by turning anti-clockwise
2. Connect your hose to the drainage valve (hose diameter: ¾" or 19.04 mm)
3. Pull out and unscrew until water starts to flow

Note: Ensure the power is switched off before draining. Damage caused by dry running will not be covered under warranty.

SPA Control Panel Instruction

For SPA control panel operation, please refer to the User Manual of the control system and the Quick Operation Guidance.

Jet instruction

Jets are the main components responsible for massage. You can adjust the water flow by rotating the jet face.

- Turn the jet cover clockwise about 1/4 turn to open the jets.
- Turn the jet cover anti-clockwise about 1/4 turn to close the jets.

Note: Some jets and air jets are non-adjustable. Do not rotate these jets with force as it may cause damage.

Air Jets Controls Instruction

- Air controls affect the pressure of your jets by adding air. You may have more than one air control on your spa, each of which will be associated with a specific group of jets. By opening an air control, more air will be drawn into the water flow.
- When the air control is turned clockwise, it will decrease the power of the massage jets.
- When it is turned anti-clockwise, it will increase the power of the massage jets.

Note: For better heating efficiency, please turn the air controls off. The air blower may cool down the spa water temperature.

Electric Installation

- The electrical supply to your new spa must be on a dedicated circuit with no other appliances or sockets sharing the power. Damage caused by incorrect amperage WILL NOT be covered under warranty. Consult a qualified electrician for electrical connection.
- Ensure your new spa is properly earthed. The main power supply must include a high-sensitivity residual current device (RCD). A 30mA leakage protector is recommended.

Please select a suitable wiring size:

Power (KW)	2.1	2.5	2.8	3.2	3.5	4.4	5.3	6.2	7.0	7.9	8.8
Product distance											
6 - 11 meters	2.5	2.5	2.5	2.5	4	4	6	10	10	10	10
11 - 15 meters	2.5	2.5	2.5	4	4	4	6	6	10	10	10
15 - 20 meters	4	4	4	4	6	6	10	10	10	16	16

Spa Maintenance

Owning a SPA is enjoyable, relaxing and therapeutic, but it's important to maintain your investment to ensure it remains economical and in good health—avoiding unnecessary, premature repair costs. Below is a simple step-by-step guide to follow.

Filling your SPA

1. Before filling your SPA, please check and tighten all live connectors, as they may become loose during transportation.
2. Please check and ensure that all check valves are in the open position.
3. Check that the drainage valve is shut off.
4. Ensure that all jets are in the open position. Turn clockwise to open your jets on.
5. Fill your SPA with water. Fill through the filter to avoid air blocks in the pumps.
6. Fill the water until it reaches the required water level.

Note: To avoid damage to components, DO NOT fill with hot water over 40°C into your SPA.

Water diverter instruction

The water diverter is the part that adjusts the massage power. Rotating the water diverter controls the water flow between jets. Turning it will adjust the massage power of different jet groups.

SPA WATER MANAGEMENT & MAINTENANCE

Please note that these instructions are intended as a general guide for maintaining spa water quality. Before taking any action, please consult your local SPA specialist for the appropriate amount of sanitiser to use, and suitable procedures based on the capacity of your SPA.

- You should never use poor grade chemicals or incompatible equipment, as this may result in damage.
- Chemicals will not be covered under warranty.
- Please have the water tested by a professional at least once a month. It is also recommended that water is tested weekly by the user. When adding chemicals, mix in water for 20-30 minutes and ensure that all substances are fully dissolved.

The effect and adjustment of pH

- Low pH (below 7.2) causes sanitisers to function poorly, increases corrosion risk for surfaces and components, and may cause skin and eye irritation.
- If pH is high (above 7.6), chlorine-based sanitisers lose effectiveness; water can become cloudy, and scaling may occur on spa surfaces and heaters.

ATTENTION! The pH level measures water acidity/alkalinity:

- Alkalinity: Values above 7 are alkaline; below 7 are acidic.
- A pH range between 7.2 and 7.6 is recommended.

WARNING: Please make sure that the correct pH level is maintained. Any damage caused by incorrect pH will not be covered by your SPA warranty.

pH Adjustment

- Check the pH of the spa water daily using the pH tester (not supplied). If pH is outside the recommended range, do not use the SPA. Wait two hours and re-test.
- If pH remains incorrect, run the pump for 2 more hours and re-check.
- If still incorrect: Uncover the spa cover and test again after adding the appropriate pH or alkalinity/acidifying chemical (use only as advised). Mix well, then re-test after 20 minutes.

Disinfection of the Water

- Disinfection is vital to destroy algae, bacteria and other pathogens in the water. However, overuse of disinfectant can lead to skin/eye irritation.

- **Bromide tablets:** Safe and suitable for use. Place in the pre-filter; dissolves gradually.
- Check residual bromide levels daily with a test kit. Ideal levels: 2.2–3.3 ppm

Disinfection with Ozone

- Ozone (O₃) is a powerful and odourless disinfectant.
- Most spas are equipped with 1–2 ozone generators.
- The system automatically injects ozone into the spa water via the jets.
- Ozone should be released once per day. Recommended ozone disinfection is once daily, lasting 1–2 hours.
- The lifespan of the ozone generator depends on usage and should be checked regularly.

Filter Removal and Installation

Removing the Cartridge and Filter:

- Open the cartridge cover on the top side.
- Remove the filter cover, and turn anti-clockwise to remove the paper filter.
- To install the cartridge filter, reverse these steps.

Removing the Double Front Access Filters:

- Lift the front panel; pull the screen out sideways.
- Turn anti-clockwise to remove the paper filter.
- To install the double front access filters, reverse these steps.

Removing the Large Front Access Stopper Filter:

- Remove the top cover.
- Turn anti-clockwise to remove the paper filter.
- To install the front access stopper filter, reverse these steps.

When Your Spa is Not in Use

If you are going away for a period longer than 2 months, it is recommended that you turn your spa off and empty it. It is important to remember to leave the cover on even while empty to protect the shell. If you are going away for a few days or weeks, do not turn your spa off completely. Turn the temperature down to 15 degrees Celsius, so that the filtration cycles are still functioning, but the spa doesn't heat.

- **3-5 days:** Adjust the pH and water treatment (for details, please check the water maintenance section), cover the spa. Adjust the pH and water treatment when you reuse the spa.

- **5-14 days:** Set the lowest temperature or sleep mode. Adjust the pH and water treatment (for details, please check the water maintenance section), cover the spa. Adjust the pH and water treatment when you reuse the spa.
- **More than 15 days:** Turn off the power, open the drain valve and drain the spa completely. Remove the filter, keep the spa dry, and cover the spa.

Troubleshooting

Symptom	Possible Causes	Solution
The error message appears on the LCD; the spa stops working	The control system has a digital diagnostics function which will stop working if there's something wrong in the spa, and it will restart when the troubleshooting is resolved.	Please check the error message in the control system manual, and then contact your local dealer to carry out maintenance.
Spa can't start in any mode	Power is off	Check if the power switch or contactor is turned on.
	Control panel is locked	Check whether the control panel is locked, and unlock if needed
	Electrical control failure (display shows error message)	Check the fault code in the control manual, then contact your dealer to carry out the maintenance.
Spa opens automatically	Filtration feature is running	This is just an automatic function of the system; no maintenance is required. The system will automatically stop running when the function is complete. No user action required
	Heating function is running	
	Antifreeze feature is running	
The water pump turns off automatically when using the spa	The pump running time is more than the system's default maximum running time	Repress the pump button to restart the pump. Allow the pump.
	The pump motor is in overheat protection mode	Stop the pump running for more than 1 hour until it has cooled, and then start the

		pump.
The spa turns on after filling completely with water, then the water pumps are also on, but no water comes out from the jets	The jets are closed	Check whether the jets are closed; if not, open them
	Water pump is sucking air	Repeatedly try to start the water pumps. If still not working, open the lid on the water pump to release the air, and then screw it tightly. Meanwhile, please fill the water through the filter to prevent the inside of the water pump from sucking air
Spa is heating slowly	Low temperature set	Re-set the temperature
	Filter cartridge is dirty	Cleaning or replacement of filter
	No cover on the spa, causing heat loss	Put the cover on the spa when not in use
	The jet connected to the circulating pump is closed	Open the jets
	Heater is broken	Contact your local dealer to carry out the maintenance
The massage power of the jets is small	Jets are not fully opened	Open the jets
	Jets are clogged	Rotate the jet cover anti-clockwise to its end, then force it anti-clockwise to spiral the jets out. Check whether there are foreign bodies inside the jets.
	Air valve turned off	Open the air valve switch.
	Water valve closed, preventing water from coming out of the jets	Rotate valves, regulating the water jets.
	Water pump control valve is not fully opened	Check if the water pump's valve is fully opened.
The jet spraying water is sometimes strong,	Suctions or filter are clogged. Water pump	Check whether the suction or filter have foreign bodies

sometimes weak	control valve is not fully opened.	inside and remove them. Check if both of the water pump's valves are fully opened.
----------------	------------------------------------	--

The Application of Other Special Chemical Products

Besides pH adjustment and the above-mentioned disinfection methods, there are some cleaning products which can be used in spa water:

- **ANTI-CALCAREOUS:** It can be used to prevent/reduce precipitation of calcium salts (scale), especially in hard water areas. Use it once a week and whenever the water is renewed.
- **SPA ALGAECIDE:** Prevents algae from growing in the water. Use it once a week and whenever the water is renewed.
- **ANTI-FOAM:** Prevents foaming in the water. Use it once a week and whenever the water is renewed.

WARNING

Add the exact amounts to the water, as specified. Do not mix products to avoid possible reactions. Do not smoke while handling these products – they may be flammable. Do not add chemical products to the water if there is someone in the spa. Keep containers tightly closed in dry, well-ventilated places, and keep these products away from children. Do not inhale chemical products, and take care not to let them come into contact with the eyes, nose, or mouth. Wash hands after use. Follow the emergency instructions on the product label in the event of an accident or ingestion.

SPA Cleaning and Maintenance

Owning a spa is relaxing, and therapeutic, but more importantly, it is important to look after it properly, to keep it healthy and economical, thus avoiding unnecessary premature repair costs. Detailed below is a simple step-by-step procedure to follow.

Spa Surface Cleaning and Maintenance

The spa surface is made of high-gloss acrylic. It should be kept clean. We suggest cleaning the spa's exterior surface once a week and cleaning the entire spa after draining. Detailed steps as below:

- Clean the dirt with a wet towel. We can use a neutral detergent and a soft towel. Do not use detergents containing ketone or chlorine water.
- If the surface has some light scratches, please polish it with 2000-grit sandpaper and touch it up with toothpaste, then re-polish it with a soft towel.

- Please do not clean the spa surface with any chemical solution/solvents or abrasive tools. Do not scratch the spa surface with hard materials or a knife.
- Please do not clean the spa surface with nail polish, nail polish remover, dry cleaning fluid, acetone, paint remover, etc., as it will damage the surface.
- No cigarette ends or heat sources over 70°C should touch your spa.

Control Panel Maintenance

- Please do not touch the control panel with hard objects to avoid scratches.
- Please avoid direct sunlight on the control panel.
- Please keep the control panel dry when the spa is not in use.

Pillow Maintenance

- Clean the pillow with neutral detergent.
- Excessive chloride detergent and ozone will cause the pillow to fade. Please remove the pillow after using the spa. Please handle it carefully, as it is not covered by the guarantee.

Spa Cover Maintenance

- Clean the cover with soapy water. Please ensure that the soapy water does not go inside the spa.
- Please do not grasp or pull the link in the middle of the cover; it is easily broken.
- Please do not sit, lie, or jump on the cover. Damage caused by this may not be covered under guarantee.

Note: Please cover the spa after use or cleaning. Leaving the spa uncovered and exposed may void your warranty on your spa and its accessories.

Filter Maintenance

You should clean your filters regularly. Once a week, you should remove your filters and hose any debris out of them with a high-pressure hose. Once a month, you should soak your filters in a cartridge filter cleaning solution and then hose them off with a high-pressure hose.

Filter Cleaning

1. Turn off the power.
2. Remove the cartridge; please read the filter removal instructions before doing so.
3. Remove the filter from the cartridge by turning it anti-clockwise.
4. Clean the cartridge with water until there are no leftovers.
5. Spray the filter with water, from top to bottom, at an angle of 45° (Refer to the photos on the right side).

6. Install the filter and cartridge after cleaning.
7. Turn on the power.

Warning: When you remove your filters, ALWAYS ensure that the power to your spa is off before doing so. If you leave your power on and anything is drawn into your pump or heater, causing either to fail, the fault will not be covered under warranty.

Warranty Performance and Coverage

Our company provides a limited 2-year warranty covering manufacturing defects and faults directly attributable to the product's design, materials, or workmanship. This warranty applies only to products used exclusively for private, personal, and non-commercial purposes.

All repairs or replacements do not extend or renew the original warranty period. This is a parts-only warranty, unless otherwise stated in writing. For any warranty claims related to transport damage, damages must be reported within 24 hours of delivery, with proper documentation and photos, and acknowledged by the delivery driver. Any unauthorized repair attempts or failure to follow the outlined process may void the warranty.

The following items are specifically excluded from any warranty coverage:

- Any damages resulting from improper use or maintenance not according to the user's manual.
- Damage caused by any human factor.
- Any amendment to the product without the manufacturer's authorization.
- Damage or discolouration to the shell surface due to corrosive or improper cleaning agents.
- Damage resulting from improper transportation or storage.
- Damage due to acts of God.
- Natural colour fading.

Limited Warranty: The production manufacturer reserves the right of final explanation.

Special Declaration Note: The limited warranty is from the manufacturer's production date of substantial completion.

Deutsch (DE)



Gebrauchsanleitung:

Diese Gebrauchsanleitung unbedingt vor Installation sorgfältig lesen.

Bei sachgemäßer Vorbereitung und regelmäßiger Pflege wird Ihr Whirlpool über viele Jahre hinweg zuverlässige Entspannung und Freude bieten. Dieses Handbuch enthält alle wichtigen Angaben zur Vorbereitung, Installation, Pflege und Inbetriebnahme Ihres neuen Whirlpools. Damit Ihr Whirlpool sicher und ordnungsgemäß genutzt werden kann, lesen Sie bitte das gesamte Handbuch sorgfältig durch.

Hauptfunktion und Produkteigenschaften:

- **Hydrotherapie:** Ausgestattet mit ergonomischen Hydrotherapie-Sitzen sorgt der Whirlpool für gezielte Unterstützung des Körpers. Den Massagedruck können Sie durch Anpassung der Massageintensität, des Wasserumleiters und des Luftreglers regulieren.
- **Luft-Therapie-Funktion:** Durch Aktivierung des Gebläses werden über die dafür vorgesehenen Luftdüsen zahlreiche Luftblasen freigesetzt, die ein dynamisches Massageerlebnis mit therapeutischer und unterhaltsamer Wirkung ermöglichen.
- **Heizfunktion:** Der Whirlpool verfügt über ein integriertes Heizsystem, das die Wassertemperatur reguliert und konstant hält. Die gewünschte Temperatur kann individuell eingestellt werden, sodass der Whirlpool ganzjährig nutzbar ist.
- **Filter- und Zirkulationssystem:** Das Spa ist mit einem Filtersystem ausgestattet, das einen integrierten Filter sowie eine Ozonisierung umfasst. Während Verunreinigungen herausgefiltert werden, erfolgt automatisch ein Filterzyklus, bei dem mithilfe des von der Ozoneinheit erzeugten Ozons Bakterien entfernt werden.
- **Beleuchtung:** Das LED-Unterwasserlicht verbessert das Ambiente des Whirlpools. Das Beleuchtungssystem wird über das Bedienfeld gesteuert und sorgt sowohl für eine gezielte Ausleuchtung des Wassers als auch für eine beruhigende Stimmung.

Wichtige Anmerkung: Die oben genannten Funktionen stellen allgemeine Merkmale unserer Spa-Produkte dar. Abweichungen bei einzelnen Modellen sind möglich, daher sind die produktspezifischen Details vor dem Kauf zu prüfen. Der Hersteller behält sich das Recht vor, Produkte jederzeit und ohne vorherige Ankündigung zu modifizieren oder zu verbessern.

Wichtige Anweisungen

Es ist unerlässlich, sich mit den allgemeinen Sicherheitsrichtlinien für Whirlpools sowie den Verfahren zur Wasserbehandlung vertraut zu machen. Bitte stellen Sie sicher, dass Sie die folgenden Informationen vollständig verstanden haben:

- **Entwässerungsanforderung:** Stellen Sie sicher, dass der Whirlpool nicht in einem tief liegenden oder hochwassergefährdeten Bereich installiert wird, da dies zu Ausfällen elektrischer Komponenten führen und die Sicherheit der Benutzer gefährden kann.
- **Stromschlaggefahr:** Wie bei allen elektrischen Geräten besteht auch beim Betrieb des Whirlpools ein Stromschlagsrisiko. Der Maschinenraum im Geräteschrank enthält die Steuereinheit des Whirlpools und muss stets geschlossen gehalten werden. Sollte Wasser in den Maschinenraum eindringen, ist das Gerät unverzüglich von der Stromversorgung zu trennen. Vor einer erneuten Inbetriebnahme muss sichergestellt werden, dass sämtliche Komponenten vollständig getrocknet sind.
- **Temperatur:** Die Wassertemperatur darf 40 °C nicht überschreiten. Höhere Temperaturen können das Herz-Kreislauf-System belasten und stellen ein gesundheitliches Risiko dar. Bei Überschreitung dieses Grenzwerts ist der Whirlpool umgehend zu verlassen und der Fachhändler zu kontaktieren. Es wird empfohlen, die Wassertemperatur unterhalb der normalen Körpertemperatur (ca. 37,5 °C) zu halten.
- **Gesundheitliche Faktoren:**
 - Personen mit Diabetes, Bluthochdruck, Herzerkrankungen oder anderen Herz-Kreislauf-Erkrankungen sollten vor der Nutzung des Spas einen Arzt konsultieren.
 - Um Verunreinigungen und Gesundheitsrisiken zu reduzieren, sollte man vor dem Betreten des Whirlpools mit Wasser und Seife duschen.
 - Personen mit offenen Wunden oder Infektionen jeglicher Art sollten das Spa nicht benutzen.
 - Bei nicht ordnungsgemäßer Desinfektionsmittelkonzentration kann heißes Wasser die Vermehrung von Bakterien begünstigen und somit ein hygienisches Risiko darstellen.
 - Schwangere Personen sollten vor der Nutzung eines Spas immer ihren Arzt konsultieren.
- **Eintauch- und Abkühlzeit:** Begrenzen Sie einzelne Badeeinheiten im Whirlpool auf 15–20 Minuten. Einige Modelle verfügen über einen integrierten Abkühlungssitz. Falls Sie Anzeichen von Überhitzung verspüren, setzen Sie sich auf diesen Sitz und lassen Sie Ihren Körper ausreichend abkühlen. Sobald Sie sich wieder wohlfühlen, können Sie langsam ins Wasser zurückkehren. Das Sitzen im Whirlpool mit dem Brustbereich oberhalb der Wasserlinie verkürzt die Abkühlzeit. Längerer Aufenthalt im Wasser mit Temperaturen über der normalen Körpertemperatur ist zu vermeiden, da dies gesundheitsschädlich sein kann.
- **Alkoholkonsum und Medikamenteneinnahme:** Der Konsum von Alkohol im oder in unmittelbarer Nähe des Whirlpools stellt ein erhebliches Sicherheitsrisiko dar. Die Verwendung von Glasbehältern im Bereich des Whirlpools ist untersagt. Alkohol erhöht die Ertrinkungsgefahr. Personen, die Medikamente einnehmen, sollten vor dem Betreten des Whirlpools ihren Arzt konsultieren.

- **Kindersicherheit:** Kinder sollten das Spa niemals ohne Aufsicht einer erwachsenen Person benutzen.
- **Rutschgefahr verhindern:** Beim Ein- und Aussteigen aus dem Whirlpool ist besondere Vorsicht geboten, da nasse oder unebene Flächen eine erhöhte Rutschgefahr darstellen. Zur Minimierung des Unfallrisikos sind Handläufe und rutschfeste Materialien zu verwenden. Unter Umständen können zusätzliche Stufen den Ein- und Ausstieg erleichtern.
- **Elektrogeräte:** Es ist untersagt, elektrische Geräte in einem Umkreis von 2 Metern vom Spa zu platzieren.
- **Wetterbedingungen:** Das Spa darf bei Unwettern wie Gewittern oder Wirbelstürmen nicht verwendet oder betrieben werden.
- **Belüftung:** Bei unzureichender Belüftung des Spa-Bereichs kann es zu Reizungen der Atemwege kommen. Achten Sie darauf, dass der Whirlpool in einem gut belüfteten Bereich installiert wird – insbesondere bei überdachten Konstruktionen.
- **Chemikalien:** Chemikalien sind unerlässlich, um das Wasser sauber zu halten, das Wachstum von Bakterien zu verhindern und die Lebensdauer Ihres Whirlpools und seiner Komponenten zu verlängern. In konzentrierter Form (wie bestimmte Haushaltschemikalien) können sie jedoch gefährlich sein. Gehen Sie mit Whirlpool-Chemikalien stets vorsichtig um und beachten Sie die Sicherheitshinweise auf dem Produktetikett sowie in den zugehörigen Unterlagen. Detaillierte Angaben zur sicheren Anwendung finden Sie im Abschnitt „Chemikalienmanagement“.

Spa-Installation

Die Installation des Whirlpools darf ausschließlich durch qualifiziertes Fachpersonal erfolgen. Der Hersteller haftet nicht für Schäden, die durch unsachgemäße Installation oder Arbeiten von unqualifiziertem Personal verursacht werden.

Ausrichtung und Standort des Spas

- Der Whirlpool ist so zu positionieren, dass alle Komponenten für Wartungs- und Instandhaltungsarbeiten jederzeit frei zugänglich sind. Die meisten Geräte befinden sich an der Vorderseite des Whirlpools und müssen für den Stromanschluss und die Wartung zugänglich bleiben.
- Für einen sicheren Zugang zu allen Komponenten sollte der Whirlpool mit einem Mindestabstand von 1,2 Metern zu angrenzenden Flächen auf allen Seiten installiert werden.
- Vor Beginn des Betriebs muss sichergestellt sein, dass die Installation ordnungsgemäß durchgeführt wurde. Die Verantwortung hierfür liegt beim Eigentümer.
- Alle tragbaren Whirlpool-Komponenten müssen stets ausreichend belüftet werden. Die Lüftungsschlitze im Geräteschrank dürfen keinesfalls blockiert oder abgedeckt werden.
- Der Whirlpool sollte nicht in unmittelbarer Nähe von Bäumen aufgestellt werden, da herabfallendes Laub den Filter verstopfen könnte.

Wichtiger Hinweis:

Setzen Sie Ihren Whirlpool nicht über längere Zeit direkter Sonneneinstrahlung aus. Dies kann zum Erlöschen Ihrer Garantie führen. Der Whirlpool verfügt über eine Isolierung an der Außenwand und den Rohrleitungen. Bei direkter Sonneneinstrahlung kann die Oberflächentemperatur auf bis zu 200 °C ansteigen, was zu Schäden am Whirlpool führen kann.

Es wird empfohlen, das Spa immer mit der Abdeckung zu verwenden, wenn es nicht in Betrieb ist, und es an einem Ort aufzustellen, der vor extremen Witterungsbedingungen geschützt ist. Das Offenlassen und die direkte Witterungseinwirkung können zum Verlust der Garantie für das Spa und dessen Zubehör führen.

Standortanforderung

- Vor der Installation sollte man sich an einen Fachmann wenden, um sicherzustellen, dass der richtige Standort für den Whirlpool ausgewählt wird.
- Stellen Sie den Whirlpool nicht an Orten auf, an denen Wasser in den Elektrobereich eindringen könnte. Stellen Sie außerdem sicher, dass es nicht in direkten Kontakt mit sehr feuchten Bereichen kommt.
- Stellen Sie den Whirlpool so auf, dass er waagrecht steht und die ganze Unterseite auf einer glatten, ebenen und waagerechten Fläche steht, die sowohl das Gewicht des komplett mit Wasser gefüllten Whirlpools als auch das Gewicht der Badenden tragen kann (erfordert eine Gewichtskapazität von 1000 kg).
- Der Whirlpool darf nicht auf einer gekrümmten, weichen, sandigen Oberfläche oder auf Blöcken platziert werden.

Elektrische Installation

- Die Stromversorgung Ihres neuen Whirlpools muss über einen eigenen Stromkreis erfolgen, der von anderen Geräten oder Steckdosen nicht genutzt werden darf. Schäden durch falsche Stromstärke werden NICHT von der Garantie abgedeckt. Der elektrische Anschluss ist von einem qualifizierten Elektriker durchzuführen.
- Stellen Sie sicher, dass Ihr neuer Whirlpool ordnungsgemäß geerdet ist. Die Hauptstromversorgung muss über einen hochempfindlichen Fehlerstromschutzschalter (RCD) verfügen. Ein 30-mA-Fehlerstromschutzschalter wird empfohlen.

Bitte wählen Sie die geeignete Kabelgröße:

Leistung (KW)	2.1	2.5	2.8	3.2	3.5	4.4	5.3	6.2	7.0	7.9	8.8
Produkt-abstand											
6 – 11 Meter	2.5	2.5	2.5	2.5	4	4	6	10	10	10	10
11 – 15 Meter	2.5	2.5	2.5	4	4	4	6	6	10	10	10
15 – 20 Meter	4	4	4	4	6	6	10	10	10	16	16

Spa-Wartung

Ein Spa zu besitzen ist angenehm, entspannend und therapeutisch. Es ist jedoch wichtig, Ihre Investition zu pflegen, um sicherzustellen, dass sie effizient und in gutem Zustand bleibt — dadurch werden unnötige, vorzeitige Reparaturkosten vermieden. Nachstehend finden Sie eine einfache Schritt-für-Schritt-Anleitung.

Whirlpool befüllen

1. Bevor Sie Ihren Whirlpool befüllen, überprüfen und ziehen Sie bitte alle Anschlüsse fest, da diese sich während des Transports gelöst haben könnten.
2. Bitte überprüfen Sie, ob alle Rückschlagventile geöffnet sind.
3. Überprüfen Sie, ob das Ablassventil geschlossen ist.
4. Stellen Sie sicher, dass alle Düsen geöffnet sind. Um die Düsen zu öffnen, drehen Sie sie im Uhrzeigersinn.
5. Befüllen Sie Ihren Whirlpool mit Wasser. Befüllen Sie ihn über den Filter, um zu vermeiden, dass sich Luft in den Pumpen staut.
6. Befüllen Sie den Whirlpool mit Wasser, bis der erforderliche Wasserstand erreicht ist.

Hinweis: Damit die Whirlpool-Komponenten nicht beschädigt werden, füllen Sie bitte Ihren Whirlpool NICHT mit Wasser, das eine Temperatur von 40 °C überschreitet.

Whirlpool entleeren

Wenn Sie Ihren Whirlpool nur ein- oder zweimal pro Woche nutzen, muss er seltener entleert werden als bei einer Nutzung von drei oder mehr Mal pro Woche. Deshalb sollte der Whirlpool mindestens alle drei Monate entleert werden. Das Ablassventil befindet sich an der Vorderseite des unteren Gehäuses. Nachfolgend finden Sie Anweisungen zur Entleerung:

1. Entfernen Sie die Abdeckung des Ablassventils, indem Sie sie gegen den Uhrzeigersinn drehen
2. Schließen Sie Ihren Schlauch an das Ablassventil an (Schlauchdurchmesser: ¾" oder 19,04 mm)
3. Herausziehen und aufschrauben, bis Wasser austritt

Hinweis: Stellen Sie sicher, dass die Stromversorgung vor dem Entleeren ausgeschaltet ist. Schäden durch Trockenlauf werden nicht von der Garantie abgedeckt.

Anleitung der Whirlpool-Kontrolleinheit

Hinweise zur Bedienung der Spa-Steuereinheit finden Sie im Benutzerhandbuch des Steuerungssystems und in der Kurzanleitung.

Anleitung für die Jettüsen

Die Düsen sind die Hauptkomponenten, die für die Massage zuständig sind. Durch Rotieren der Düsenfläche können Sie den Wasserfluss regulieren.

- Drehen Sie die Düsenabdeckung etwa eine Vierteldrehung im Uhrzeigersinn, um die Düsen zu öffnen.
- Drehen Sie die Düsenabdeckung etwa eine Vierteldrehung gegen den Uhrzeigersinn, um die Düsen zu schließen.

Hinweis: Einige Düsen und Luftdüsen sind nicht regelbar. Drehen Sie diese Düsen nicht mit Gewalt, da dies Schäden verursachen kann.

Anleitung zur Steuerung der Luftdüsen

- Luftregler beeinflussen den Druck Ihrer Düsen, indem sie Luft hinzufügen. Ihr Spa verfügt möglicherweise über mehrere Luftregler, die jeweils einer bestimmten Gruppe von Düsen zugeordnet sind. Indem Sie einen Luftregler öffnen, gelangt mehr Luft in den Wasserkreislauf.
- Wenn Sie den Luftregler im Uhrzeigersinn drehen, verringert sich die Leistung der Massagedüsen.
- Wenn Sie ihn gegen den Uhrzeigersinn drehen, erhöht sich die Leistung der Massagedüsen.

Hinweis: Schalten Sie die Luftregler aus, um eine bessere Heizleistung zu erzielen. Der Luftstrom kann die Wassertemperatur im Whirlpool senken.

Anleitung zum Wasserumschalter

Der Wasserumschalter regelt die Massagstärke. Durch die Drehung des Wasserumschalters wird der Wasserfluss zwischen den Düsen gesteuert. Auf diese Weise lässt sich die Massagstärke der verschiedenen Düsengruppen regulieren.

SPA-WASSERMANAGEMENT & -WARTUNG

Bitte beachten Sie, dass diese Anweisungen als allgemeine Richtlinie für die Aufrechterhaltung der Wasserqualität Ihres Whirlpools dienen. Bevor Sie Maßnahmen ergreifen, wenden Sie sich bitte an Ihren lokalen Whirlpool-Spezialisten, um die richtige Dosierung des Desinfektionsmittels und die geeigneten Prozeduren, die der Kapazität Ihres Whirlpools entsprechen, festzulegen.

- Verwenden Sie niemals minderwertige Chemikalien oder inkompatible Ausrüstungen, da dies zu Schäden führen kann.
- Die Garantie erstreckt sich nicht auf Chemikalien.
- Lassen Sie das Wasser mindestens einmal im Monat von einem Spezialisten testen. Zudem sollte das Wasser wöchentlich vom Benutzer selbst getestet werden. Wenn Sie Chemikalien hinzufügen möchten, mischen Sie diese 20 bis 30 Minuten lang mit Wasser und stellen Sie sicher, dass alle Substanzen vollständig aufgelöst sind.

Die Wirksamkeit und Anpassung des pH-Werts

- Ein niedriger pH-Wert (unter 7,2) beeinträchtigt die Wirksamkeit der Desinfektionsmittel, erhöht das Korrosionsrisiko der Oberflächen und Komponenten und kann zu Haut- und Augenreizungen führen.
- Bei einem hohen pH-Wert (über 7,6) verlieren chlorhaltige Desinfektionsmittel ihre Wirksamkeit, das Wasser kann trüb werden und es kann zu Kalkablagerungen auf den Oberflächen des Whirlpools und den Heizelementen kommen.

ACHTUNG! Der pH-Wert misst den Säuregehalt/die Alkalität des Wassers:

- Alkalität: Werte über 7 sind alkalisch, Werte unter 7 sind säurehaltig.
- Der empfohlene pH-Wert liegt zwischen 7,2 und 7,6.

WARNUNG: Bitte stellen Sie sicher, dass der richtige pH-Wert eingehalten wird. Schäden, die durch einen falschen pH-Wert verursacht werden, fallen nicht unter Ihre Spa-Garantie.

Anpassung des pH-Werts

- Überprüfen Sie täglich den pH-Wert des Whirlpoolwassers mit einem pH-Tester (nicht im Lieferumfang enthalten). Wenn der pH-Wert außerhalb des empfohlenen Bereichs liegt, benutzen Sie den Whirlpool nicht. Überprüfen Sie den Wert nach zwei Stunden erneut.

- Wenn der pH-Wert weiterhin nicht korrekt ist, lassen Sie die Pumpe weitere 2 Stunden laufen und überprüfen Sie den Wert erneut.
- Wenn der Wert immer noch nicht korrekt ist: Nehmen Sie die Abdeckung des Whirlpools ab und führen Sie nach Zugabe der entsprechenden pH- oder Alkalinitäts-/Säuerungchemikalie (nur gemäß den Anweisungen verwenden) einen erneuten Test durch. Vermischen Sie alles gut und führen Sie nach 20 Minuten einen weiteren Test durch.

Desinfektion des Wassers

- Die Desinfizierung ist unerlässlich, um Algen, Bakterien und andere Krankheitserreger im Wasser zuverlässig zu beseitigen. Allerdings kann eine übermäßige Verwendung von Desinfektionsmitteln zu Haut- und Augenreizungen führen.
- **Bromid-Tabletten:** Sicher und zur Anwendung geeignet. Einfach in den Vorfilter geben, wo sie sich allmählich auflösen.
- Überprüfen Sie den Bromidgehalt täglich mit einem Testkit. Idealer Wert: 2,2–3,3 ppm

Ozon-Desinfektion

- Ozon (O₃) ist ein starkes und geruchloses Desinfektionsmittel.
- Die meisten Whirlpools sind mit 1–2 Ozongeneratoren ausgestattet.
- Das System injiziert automatisch Ozon über die Düsen in das Whirlpoolwasser.
- Das Ozon sollte einmal täglich freigesetzt werden. Die empfohlene Ozon-Desinfektion erfolgt einmal täglich und dauert 1–2 Stunden.
- Die Lebensdauer des Ozongenerators hängt von der Nutzung ab und sollte regelmäßig überprüft werden.

Filterausbau und -einbau

Entfernen der Kartusche und Filter:

- Öffnen Sie die obere Abdeckung der Kartusche.
- Entfernen Sie die Filterabdeckung und drehen Sie den Papierfilter gegen den Uhrzeigersinn, um ihn zu entfernen.
- Um den Kartuschenfilter einzusetzen, führen Sie diese Schritte in umgekehrter Reihenfolge durch.

Entfernen des frontzugänglichen Doppelfilters:

- Heben Sie die Frontabdeckung an und ziehen Sie den Filter seitlich heraus.
- Drehen Sie den Papierfilter gegen den Uhrzeigersinn, um ihn zu entfernen.
- Um die frontzugänglichen Doppelfilter einzusetzen, führen Sie diese Schritte in umgekehrter Reihenfolge durch.

Entfernen des großen frontzugänglichen Sperrfilters:

- Entfernen Sie die obere Abdeckung.
- Drehen Sie den Papierfilter gegen den Uhrzeigersinn, um ihn zu entfernen.
- Um den frontzugänglichen Sperrfilter einzusetzen, führen Sie diese Schritte in umgekehrter Reihenfolge durch.

Wenn Ihr Whirlpool nicht benutzt wird

Sind Sie für einen Zeitraum von mehr als zwei Monaten abwesend, sollten Sie Ihren Whirlpool ausschalten und entleeren. Denken Sie daran, die Abdeckung auch im entleerten Zustand auf dem Whirlpool zu lassen, um die Wanne zu schützen. Sind Sie nur für einige Tage oder Wochen abwesend, schalten Sie Ihren Whirlpool nicht vollständig aus. Verringern Sie die Temperatur auf 15 Grad Celsius, damit die Filterzyklen weiterhin funktionieren, der Whirlpool jedoch nicht heizt.

- **3–5 Tage:** Passen Sie den pH-Wert und die Wasserpflege an (Einzelheiten finden Sie im Abschnitt zur Wasserpflege), und decken Sie den Whirlpool ab. Passen Sie den pH-Wert und die Wasserpflege an, wenn Sie den Whirlpool wieder benutzen.
- **5–14 Tage:** Stellen Sie die niedrigste Temperatur oder den Schlafmodus ein. Passen Sie den pH-Wert und die Wasserpflege an (Einzelheiten finden Sie im Abschnitt zur Wasserpflege), und decken Sie den Whirlpool ab. Passen Sie den pH-Wert und die Wasserpflege an, wenn Sie den Whirlpool wieder benutzen.
- **Mehr als 15 Tage:** Schalten Sie das Gerät aus, öffnen Sie das Ablassventil und lassen Sie das Wasser vollständig aus dem Whirlpool ablaufen. Entfernen Sie den Filter, halten Sie den Whirlpool trocken und decken Sie ihn ab.

Fehlerbehebung

Symptom	Mögliche Ursachen	Lösung
Fehlermeldung erscheint auf dem LCD; der Whirlpool funktioniert nicht mehr	Das Steuerungssystem verfügt über eine digitale Diagnosefunktion, die bei einer Störung im Whirlpool den Betrieb unterbricht und nach Behebung der Störung wieder startet.	Bitte überprüfen Sie die Fehlermeldung im Handbuch des Steuerungssystems und wenden Sie sich anschließend an Ihren lokalen Fachhändler, um die Wartung durchführen zu lassen.
Spa kann in keinem Modus gestartet werden	Der Strom ist aus	Überprüfen Sie, ob der Netzschalter oder der Leistungsschutz eingeschaltet ist.

	Das Bedienfeld ist gesperrt	Prüfen Sie, ob das Bedienfeld gesperrt ist, und entsperren Sie es gegebenenfalls
	Ausfall der elektrischen Steuerung (Display zeigt Fehlermeldung)	Überprüfen Sie den Fehlercode im Bedienungshandbuch und wenden Sie sich dann an Ihren Fachhändler, um die Wartung durchführen zu lassen.
Das Spa startet automatisch	Die Filterfunktion läuft	Dies ist eine automatische Funktion des Systems; es ist keine Wartung erforderlich. Das System wird nach Abschluss der Funktion automatisch gestoppt. Keine Benutzeraktion erforderlich.
	Die Heizfunktion läuft	
	Die Frostschutzfunktion läuft	
Die Wasserpumpe schaltet sich bei Verwendung des Whirlpools automatisch ab	Die Pumpenlaufzeit ist länger als die standardmäßige maximale Laufzeit des Systems	Drücken Sie die Pumpentaste erneut, um die Pumpe neu zu starten. Lassen Sie die Pumpe laufen.
	Der Pumpenmotor ist im Überhitzungsschutzmodus	Stellen Sie den Betrieb der Pumpe für mehr als 1 Stunde ein, bis sie abgekühlt ist, und starten Sie sie dann erneut.
Sobald der Whirlpool vollständig mit Wasser gefüllt ist, schaltet er sich ein, dann schalten sich auch die Wasserpumpen ein, aber es kommt kein Wasser aus den Düsen	Die Düsen sind geschlossen	Prüfen Sie, ob die Düsen geschlossen sind, andernfalls öffnen Sie sie.
	Die Wasserpumpe saugt Luft ein	Starten Sie die Wasserpumpen wiederholt. Wenn sie immer noch nicht funktionieren, öffnen Sie den Pumpendeckel, um die Luft herauszulassen, und schrauben Sie ihn anschließend wieder fest zu. Füllen Sie unterdessen Wasser durch den Filter ein, um zu verhindern, dass die Wasserpumpe Luft ansaugt.
Das Spa heizt sich	Niedrige Temperatur	Temperatur neu einstellen

langsam auf	eingestellt	
	Filterkartusche ist verschmutzt	Reinigung oder Austausch des Filters
	Keine Abdeckung des Whirlpools, was zu Wärmeverlust führt	Decken Sie den Whirlpool mit der Abdeckung ab, wenn er nicht benutzt wird
	Die Düse, die mit der Umwälzpumpe verbunden ist, ist geschlossen	Öffnen Sie die Düsen
	Heizung ist kaputt	Kontaktieren Sie Ihren örtlichen Fachhändler, um die Wartung durchführen zu lassen
Die Massagekraft der Düsen ist gering	Die Düsen sind nicht vollständig geöffnet	Öffnen Sie die Düsen
	Die Düsen sind verstopft	Drehen Sie die Düsenabdeckung gegen den Uhrzeigersinn bis zum Anschlag und drehen Sie sie dann weiter gegen den Uhrzeigersinn, um die Düsen herauszudrehen. Überprüfen Sie, ob sich Fremdkörper in den Düsen befinden.
	Das Luftventil ist abgeschaltet	Öffnen Sie den Luftventilschalter.
	Das Wasserventil ist geschlossen, wodurch verhindert wird, dass Wasser aus den Düsen austritt	Drehen Sie die Ventile, um die Wasserdüsen zu regulieren.
	Das Steuerventil der Wasserpumpe ist nicht vollständig geöffnet	Prüfen Sie, ob das Ventil der Wasserpumpe vollständig geöffnet ist.
Der Wasserstrahl ist mal stark, mal schwach	Der Sog oder die Filter sind verstopft. Das Steuerventil der Wasserpumpe ist nicht vollständig geöffnet.	Überprüfen Sie, ob sich Fremdkörper in der Saug- oder Filteranlage befinden, und entfernen Sie diese.

		Überprüfen Sie, ob beide Ventile der Wasserpumpe vollständig geöffnet sind.
--	--	---

Anwendung anderer chemischer Spezialprodukte

Neben der pH-Wert- Anpassung und den oben genannten Desinfektionsmethoden gibt es einige Reinigungsprodukte, die man im Whirlpoolwasser verwenden kann:

- **ANTI-KALK:** Kann zur Vorbeugung/Reduzierung von Kalkablagerungen (Kalkstein) verwendet werden, insbesondere in Hartwassergebieten. Einmal pro Woche und bei jedem Wasserwechsel anwenden.
- **SPA-ALGENBEKÄMPFUNGSMITTEL:** Beugt Algenbildung vor. Einmal pro Woche und bei jedem Wasserwechsel anwenden.
- **ENTSCHÄUMER:** Zur Verhinderung der Schaumbildung. Einmal pro Woche und bei jedem Wasserwechsel anwenden.

WARNUNG

Fügen Sie die genauen Mengen wie angegeben zum Wasser hinzu. Mischen Sie keine Produkte, um mögliche Reaktionen zu vermeiden. Rauchen Sie nicht, während Sie mit diesen Produkten umgehen – sie können entzündlich sein. Fügen Sie keine chemischen Produkte dem Wasser hinzu, wenn sich jemand im Whirlpool befindet. Bewahren Sie die Behälter dicht verschlossen an einem trockenen, gut belüfteten Ort auf und halten Sie diese Produkte von Kindern fern. Atmen Sie keine chemischen Substanzen ein und achten Sie darauf, dass diese nicht mit Augen, Nase oder Mund in Kontakt kommen. Waschen Sie sich nach der Verwendung die Hände. Bei Unfällen oder Verschlucken befolgen Sie die Notfallhinweise auf dem Produktetikett.

Spa-Reinigung und -Wartung

Ein Spa zu besitzen ist angenehm, entspannend und therapeutisch. Es ist jedoch wichtig, Ihre Investition zu pflegen, um sicherzustellen, dass sie effizient und in gutem Zustand bleibt – dadurch werden unnötige, vorzeitige Reparaturkosten vermieden. Nachstehend finden Sie eine einfache Schritt-für-Schritt-Anleitung.

Reinigung und Wartung der Spa-Oberfläche

Die Whirlpool-Oberfläche besteht aus hochglänzendem Acryl. Diese sollte sauber gehalten werden. Wir empfehlen, die Außenfläche des Whirlpools einmal pro Woche zu reinigen und den gesamten Whirlpool nach dem Entleeren zu reinigen. Die genauen Schritte sind nachstehend aufgeführt:

- Entfernen Sie den Schmutz mit einem feuchten Tuch. Sie können ein neutrales Reinigungsmittel und ein weiches Tuch verwenden. Verwenden Sie keine Reinigungsmittel, die Keton oder Chlorwasser enthalten.
- Bei leichten Kratzern auf der Oberfläche polieren Sie diese bitte mit Schleifpapier der Körnung 2000 und bearbeiten Sie sie anschließend mit Zahnpasta. Polieren Sie sie dann erneut mit einem weichen Tuch.
- Bitte reinigen Sie die Oberfläche des Whirlpools nicht mit chemischen Lösungen/Lösungsmitteln oder scheuernden Utensilien. Zerkratzen Sie die Oberfläche des Whirlpools nicht mit harten Materialien oder einem Messer.
- Bitte reinigen Sie die Oberfläche des Whirlpools nicht mit Nagellack, Nagellackentferner, Trockenreinigungsflüssigkeit, Aceton, Farbtferner usw., da hierdurch die Oberfläche beschädigt wird.
- Zigarettenstummel oder sonstige Wärmequellen, die eine Temperatur von über 70 °C erreichen, dürfen nicht mit Ihrem Whirlpool in Berührung kommen.

Wartung des Kontrollfelds

- Bitte berühren Sie das Bedienfeld nicht mit harten Gegenständen, um Kratzer zu vermeiden.
- Bitte vermeiden Sie direkte Sonneneinstrahlung auf das Bedienfeld.
- Bitte halten Sie das Bedienfeld trocken, wenn der Whirlpool nicht benutzt wird.

Wartung der Kissen

- Reinigen Sie das Kissen mit einem neutralen Reinigungsmittel.
- Übermäßiger Einsatz von chlorhaltigen Reinigungsmitteln und Ozon führt zum Ausbleichen des Kissens. Nach der Benutzung des Spas ist das Kissen zu entfernen. Da es nicht unter die Garantie fällt, ist es mit Vorsicht zu behandeln.

Wartung der Spa-Abdeckung

- Reinigen Sie die Abdeckung mit Seifenlauge. Achten Sie darauf, dass keine Seifenlauge in den Whirlpool gelangt.
- Bitte greifen Sie das Verbindungsglied in der Mitte der Abdeckung nicht und ziehen Sie nicht daran, da es leicht brechen kann.
- Bitte setzen, legen oder springen Sie nicht auf die Abdeckung. Dadurch verursachte Schäden können von der Garantie ausgeschlossen sein.

Hinweis: Bitte decken Sie den Whirlpool nach dem Gebrauch oder der Reinigung ab. Die Garantie für Ihren Whirlpool und dessen Zubehör kann erlöschen, wenn Sie den Whirlpool ungedeckt und ungeschützt stehen lassen.

Wartung der Filter

Die Filter sollten regelmäßig gereinigt werden. Einmal pro Woche sollte man die Filter herausnehmen und mit einem Hochdruckschlauch von Rückständen befreien. Einmal im Monat sollte man die Filter in einer Reinigungslösung für Kartuschenfilter einweichen und anschließend mit einem Hochdruckschlauch abspritzen.

Filterreinigung

1. Schalten Sie die Stromversorgung aus.
2. Entfernen Sie die Kartusche. Lesen Sie vorher bitte die Anweisungen zum Entfernen des Filters.
3. Entfernen Sie den Filter aus der Kartusche, indem Sie ihn gegen den Uhrzeigersinn drehen.
4. Reinigen Sie die Kartusche mit Wasser, bis keine Rückstände mehr vorhanden sind.
5. Besprühen Sie den Filter von oben nach unten in einem Winkel von 45° mit Wasser (siehe Fotos auf der rechten Seite).
6. Installieren Sie den Filter und die Kartusche nach der Reinigung.
7. Schalten Sie den Strom ein.

Warnung: Stellen Sie vor dem Entfernen Ihrer Filter IMMER sicher, dass Ihr Whirlpool vom Stromnetz getrennt ist. Sollte der Whirlpool angeschlossen bleiben und etwas in die Pumpe oder Heizung gelangen, sodass diese ausfallen, wird der Schaden nicht von der Garantie abgedeckt.

Garantieleistung und -umfang

Unser Unternehmen gewährt eine begrenzte Garantie von 2 Jahren auf Herstellungsfehler und Mängel, die direkt auf das Design, die Materialien oder die Verarbeitung des Produkts zurückzuführen sind. Diese Garantie gilt nur für Produkte, die ausschließlich für private, persönliche und nicht kommerzielle Zwecke verwendet werden.

Reparaturen oder Ersatzlieferungen verlängern oder erneuern die ursprüngliche Garantiezeit nicht. Sofern nicht schriftlich anders angegeben, handelt es sich hierbei um eine reine Ersatzteilgarantie. Bei Garantieansprüchen aufgrund von Transportschäden müssen diese innerhalb von 24 Stunden nach Lieferung unter Beifügung entsprechender Unterlagen und Fotos gemeldet und vom Zusteller bestätigt werden. Nicht autorisierte Reparaturversuche oder die Nichtbeachtung des beschriebenen Verfahrens können dazu führen, dass die Garantie erlischt.

Die folgenden Artikel sind ausdrücklich von jeglicher Garantie ausgeschlossen:

- Jegliche Schäden, die durch unsachgemäßen Gebrauch oder Wartung entstehen, die nicht der Bedienungsanleitung entsprechen.

- Schäden, die durch menschliche Einflüsse verursacht wurden.
- Sämtliche Modifikationen am Produkt, die ohne die Genehmigung des Herstellers vorgenommen werden.
- Schäden oder Verfärbungen der Gehäuseoberfläche durch aggressive oder ungeeignete Reinigungsmittel.
- Schäden, die durch unsachgemäßen Transport oder unsachgemäße Lagerung entstehen.
- Schäden durch höhere Gewalt.
- Natürliches Verblassen der Farbe.

Eingeschränkte Garantie: Der Hersteller behält sich das Recht auf endgültige Stellungnahme vor.

Besonderer Hinweis zur Stellungnahme: Die eingeschränkte Garantie beginnt mit dem Produktionsdatum des Herstellers zum Zeitpunkt der wesentlichen Fertigstellung.